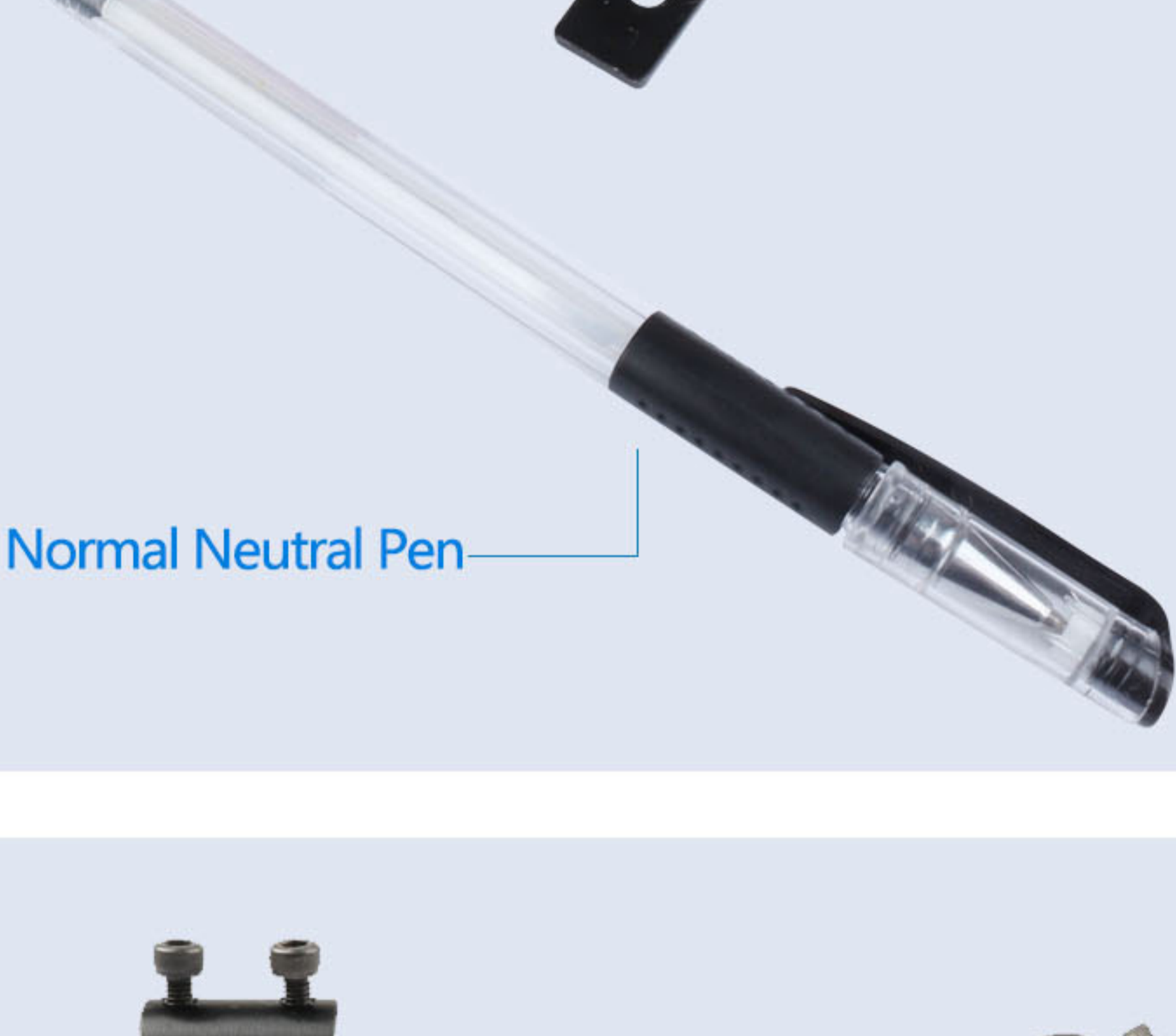


**PRODUCT ASSEMBLY >**

**DS-J**



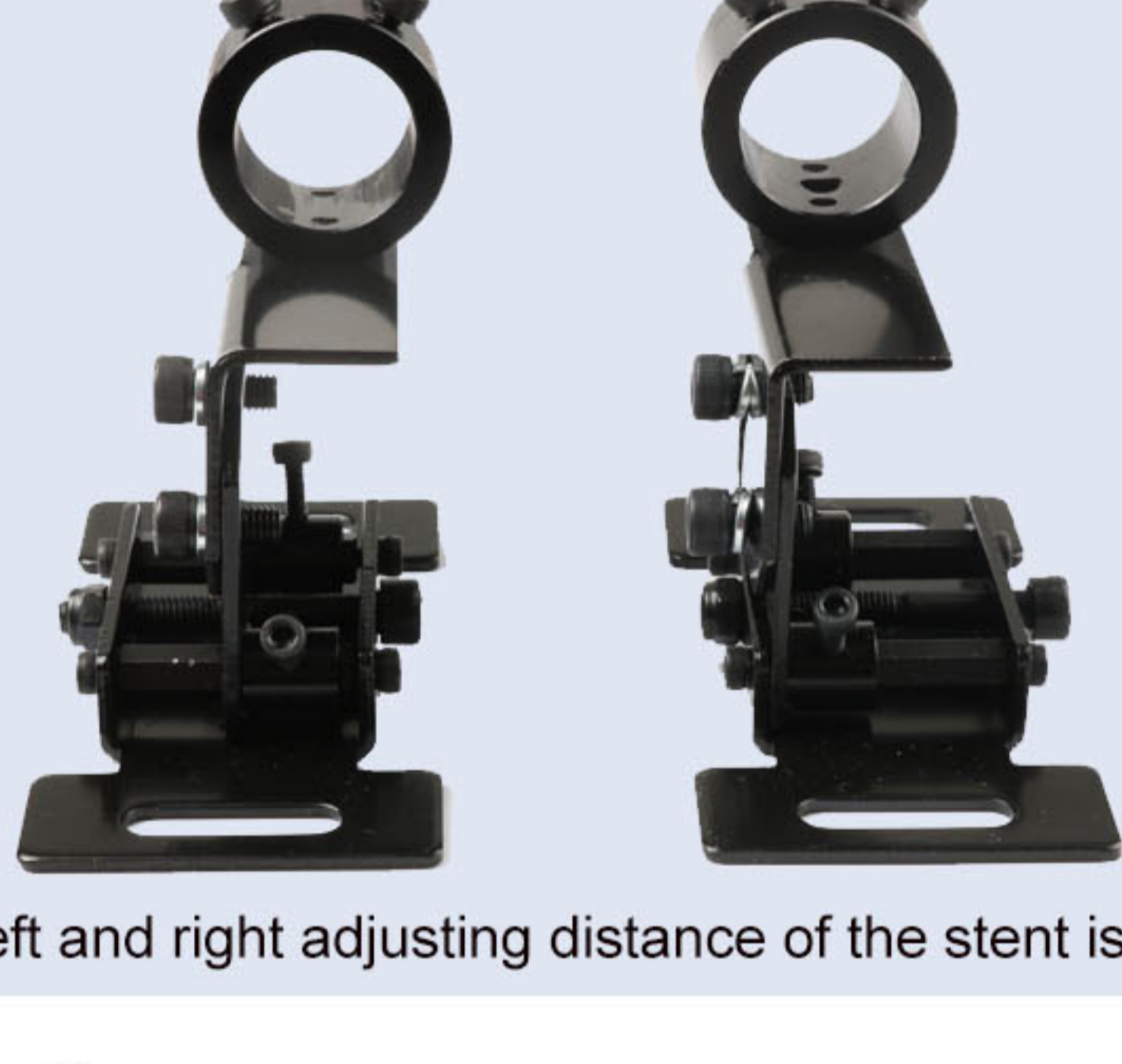
This section can only adjust the angle, can not adjust the left and right distance.



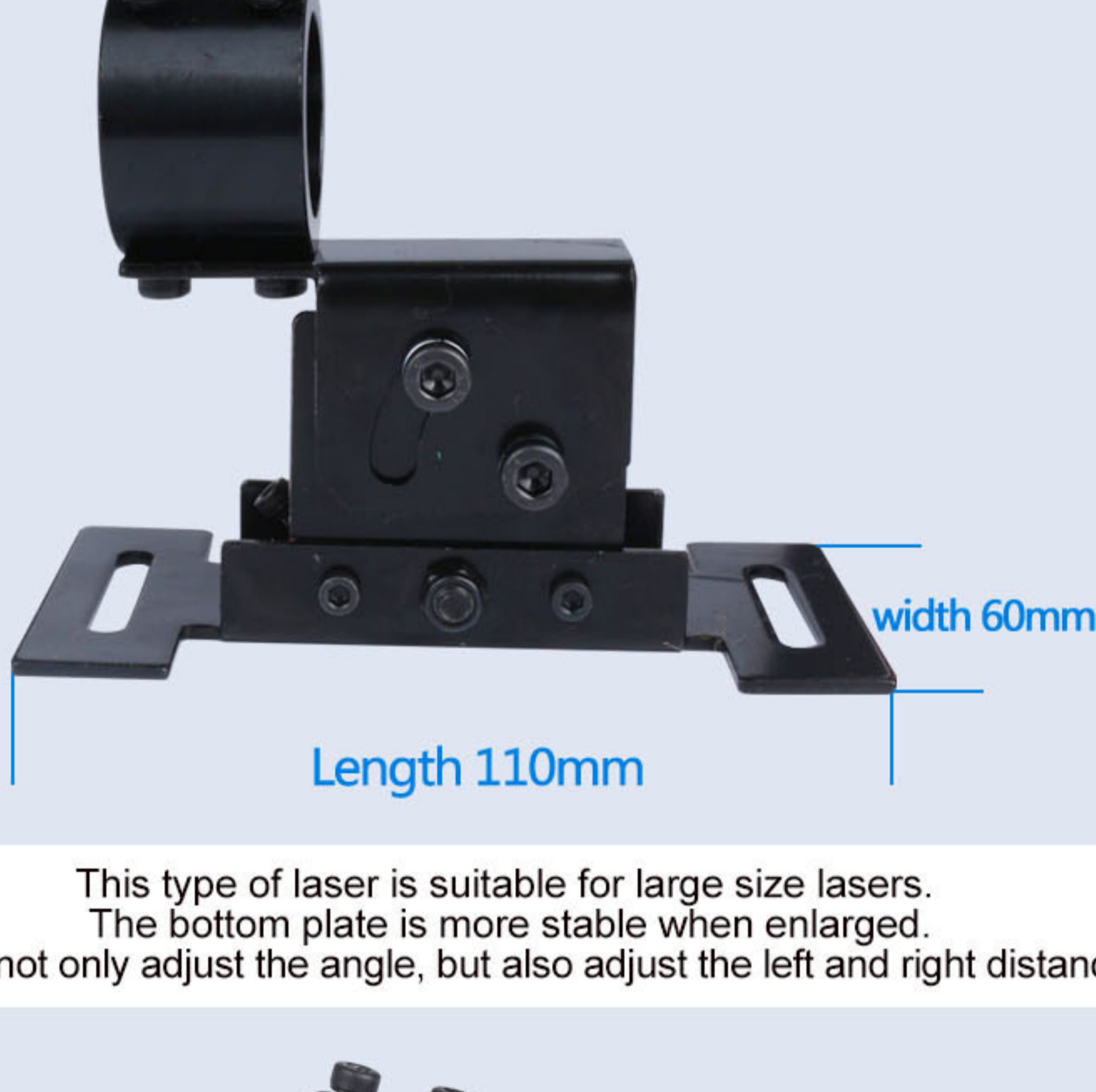
**DS-M**



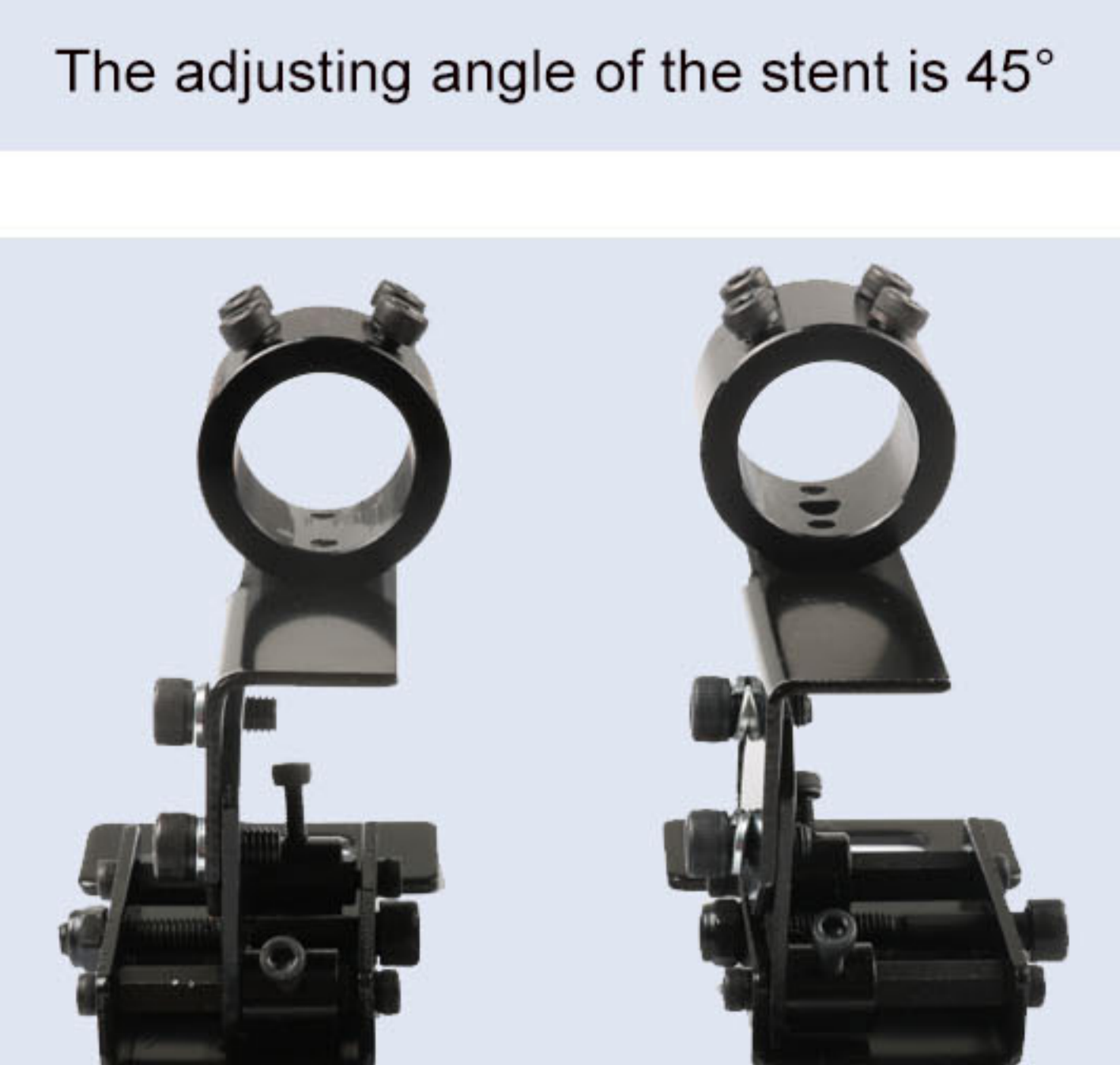
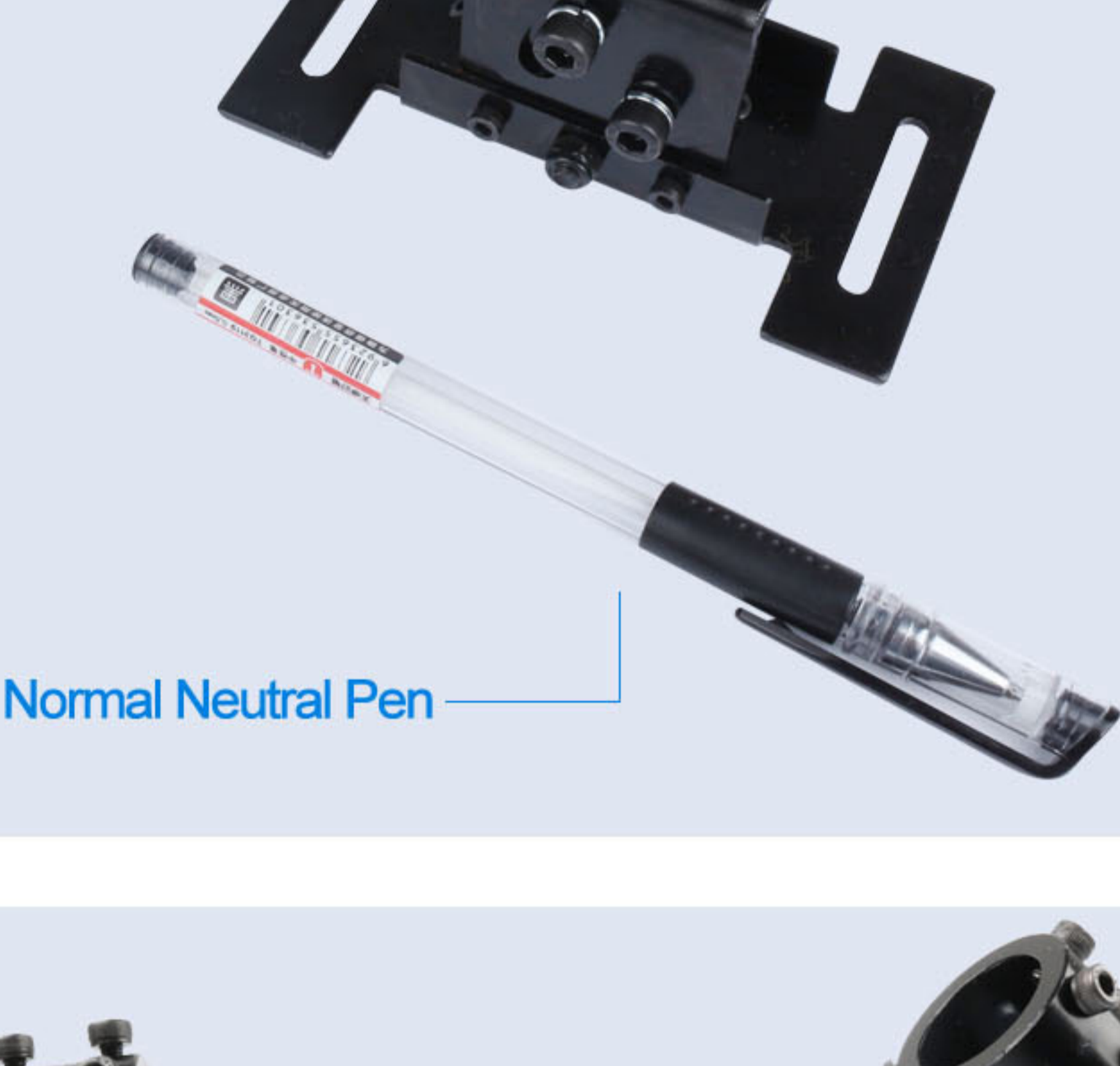
This section can not only adjust the angle, but also adjust the left and right distance.



**DS-B**



This type of laser is suitable for large size lasers. The bottom plate is more stable when enlarged. It can not only adjust the angle, but also adjust the left and right distance.



Choose the appropriate bracket aperture according to the diameter of the laser.



- Φ12.3mm Suitable for Φ12mm laser
- Φ16.3mm Suitable for Φ16mm laser
- Φ20.3mm Suitable for Φ20mm laser
- Φ22.3mm Suitable for Φ22mm laser
- Φ26.3mm Suitable for Φ26mm laser